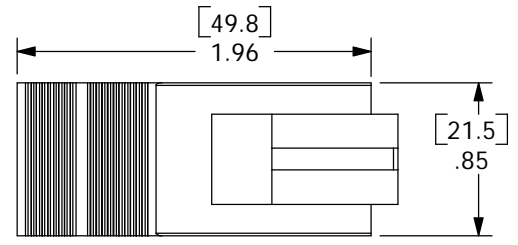
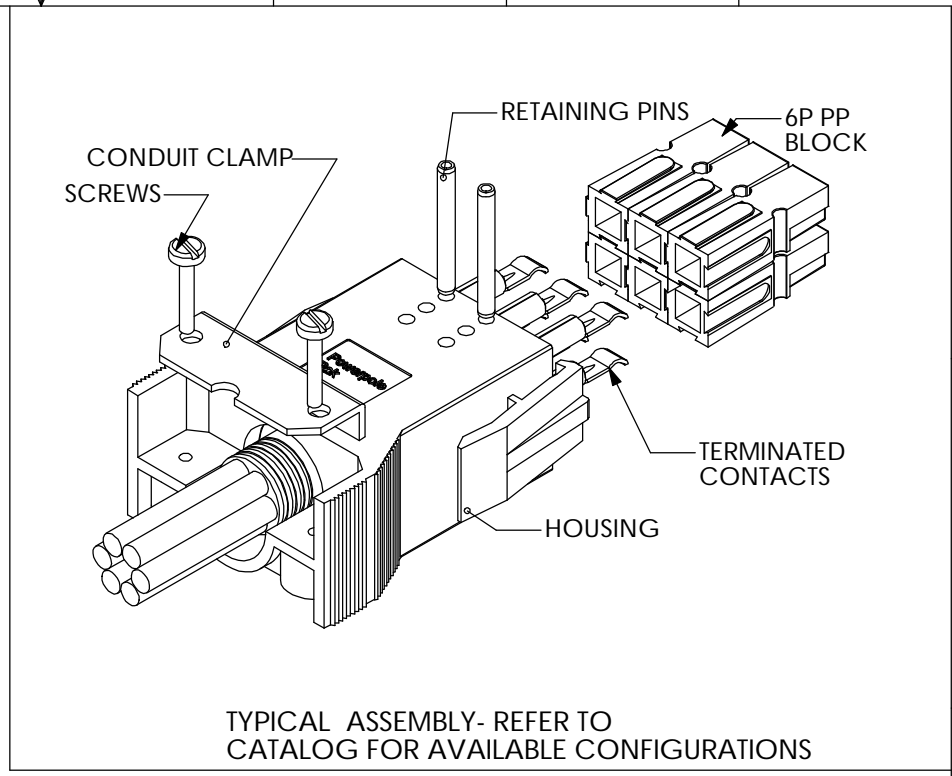
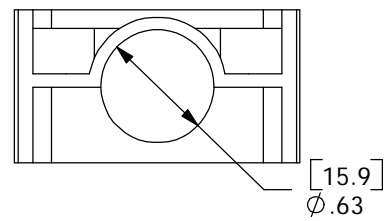
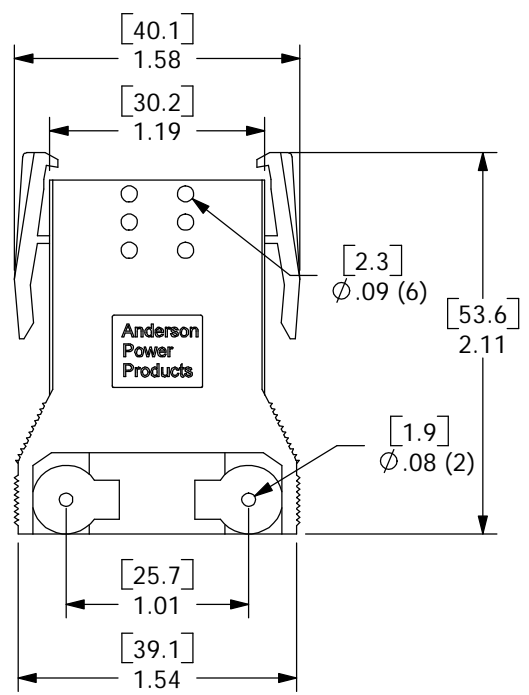


8 7 6 5 4 3 2 1

THE INFORMATION CONTAINED IN THIS DRAWING IS THE SOLE PROPERTY OF ANDERSON POWER PRODUCTS. ANY REPRODUCTION IN PART OR WHOLE WITHOUT THE WRITTEN PERMISSION OF ANDERSON POWER PRODUCTS IS PROHIBITED.

DATE	10/23/01
BY:	CMS
DESCRIPTION OF CHANGES	
REV.	1 ECRN 13433



A

ANDERSON POWER PRODUCTS RESERVES THE RIGHT TO ALTER PRODUCT TYPES, THEIR TECHNICAL DATA, DIMENSION, STYLE AND ACCESSORIES WITHOUT PRIOR NOTIFICATION.

ITEM NO.	PART OR IDENTIFYING NO.	NOMENCLATURE OR DESCRIPTION	MATERIAL SPECIFICATION	QTY REQD
COPYRIGHT 1999 ANDERSON POWER PRODUCTS. ALL RIGHTS RESERVED. UNAUTHORIZED REPRODUCTION HEREBY PROHIBITED.				
DIMENSIONS ARE IN INCHES DIMENSIONS IN PARENTHESES [] ARE IN MILLIMETERS		CAD GENERATED DRAWING, DO NOT MANUALLY UPDATE		ANDERSON POWER PRODUCTS
TOLERANCES ARE: 2PL- ±.02 [±.5]		APPROVALS	DATE	
		DRAWN CMS	7/27/99	
		CHECKED DJD	10/9/01	
		RESP ENG UFN	10/22/01	
		MFG'ENG CHB	10/21/01	
NEXT ASSY	USED ON	QUAL ENG RPO	9/16/99	
FINISH NONE		SPECIFICATION: 114165S2		REV. 1
APPLICATION DO NOT SCALE DRAWING		SCALE NONE	CADFILES/01089	SHEET 1 OF 1

8 7 6 5 4 3 2 1