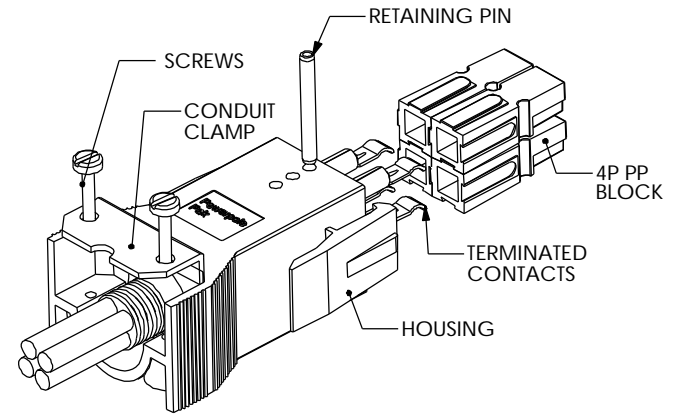
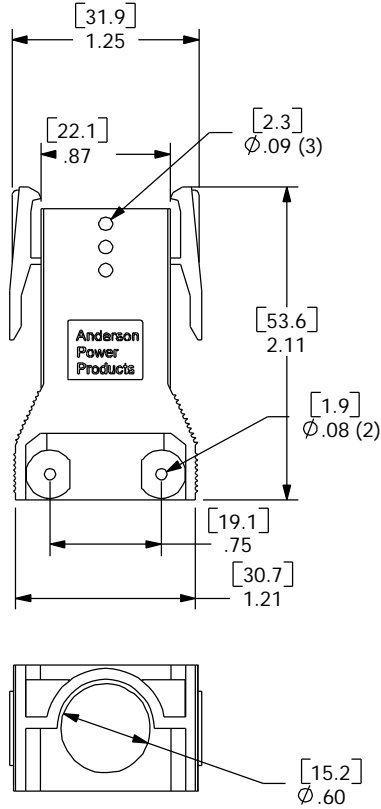


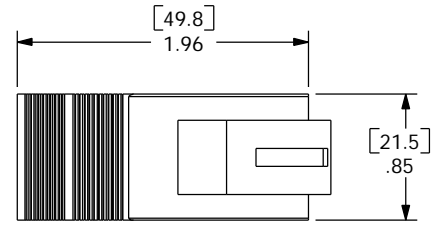
8 7 6 5 4 3 2 1

THE INFORMATION CONTAINED IN THIS DRAWING IS THE SOLE PROPERTY OF ANDERSON POWER PRODUCTS. ANY REPRODUCTION IN PART OR WHOLE WITHOUT THE WRITTEN PERMISSION OF ANDERSON POWER PRODUCTS IS PROHIBITED.

DATE	
BY	
DESCRIPTION OF CHANGES	
REV.	



TYPICAL ASSEMBLY- REFER TO CATALOG FOR AVAILABLE CONFIGURATIONS



A

ITEM NO.	PART OR IDENTIFYING NO.	NOMENCLATURE OR DESCRIPTION	MATERIAL SPECIFICATION	QTY RECD
COPYRIGHT 1999 ANDERSON POWER PRODUCTS. ALL RIGHTS RESERVED. UNAUTHORIZED REPRODUCTION HEREBY PROHIBITED.				
DIMENSIONS ARE IN INCHES DIMENSIONS IN PARENTHESES [] ARE IN MILLIMETERS		CAD GENERATED DRAWING. DO NOT MANUALLY UPDATE	ANDERSON POWER PRODUCTS	
TOLERANCES ARE: 2PL- ±.02 [±.5]		APPROVALS	DATE	
MATERIALS: POLYCARBONATE		DRAWN	CMS	7/27/99
FINISH NONE		CHECKED	AC	7/27/99
NEXT ASSY		RESP ENG	UFN	7/27/99
USED ON		MFG ENG	CHB	8/10/99
APPLICATION		QUAL ENG	RPO	9/9/99
DO NOT SCALE DRAWING		SIZE	A	SPECIFICATION:
		114165S1		REV.
		SCALE NONE		0
		CADFILES/01088		SHEET 1 OF 1

8 7 6 5 4 3 2 1