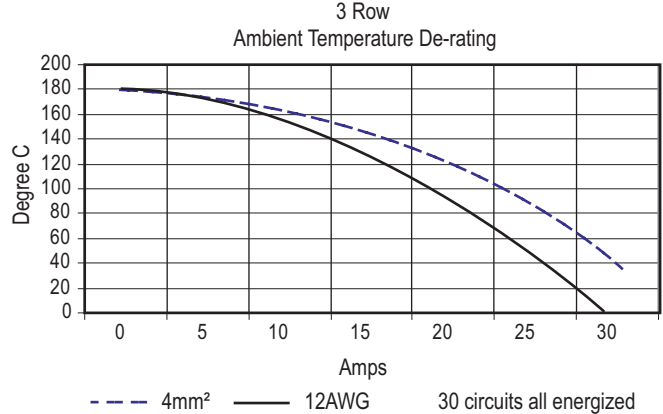
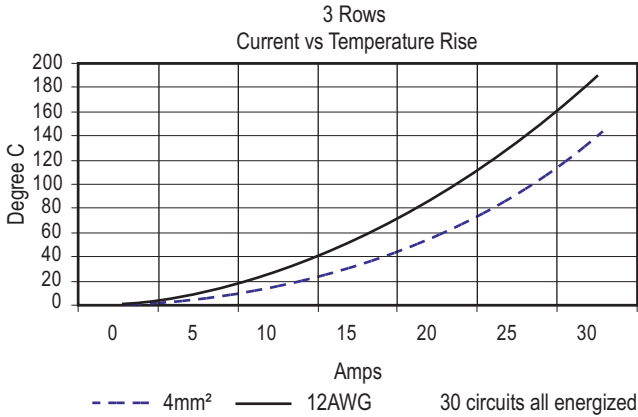


Three Row Cable Connector (male)

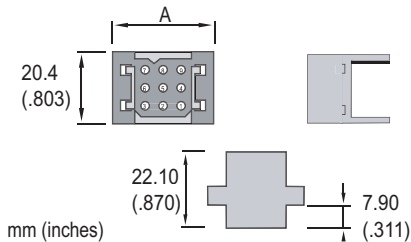
TEMPERATURE CHARTS



DIMENSIONS

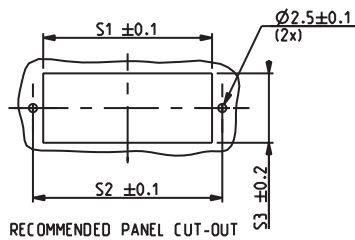
Cable Connector

ROWS CONTACTS	A
3 - 09	28.5
3 - 12	33.5
3 - 18	43.5
3 - 24	53.5
3 - 30	63.5



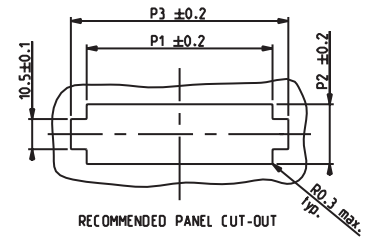
Panel/Mount With Screws

ROWS CONTACTS	S1	S2	S3
3 - 09	16.1	22.3	21
3 - 12	21.1	27.3	21
3 - 18	31.1	37.3	21
3 - 24	41.1	47.3	21
3 - 30	51.1	57.3	21



Snap-in Panel Clip

ROWS CONTACTS	P1	P2	P3
3 - 09	29.7	20.8	40.7
3 - 12	34.7	20.8	45.7
3 - 18	44.7	20.8	55.7
3 - 24	54.7	20.8	65.7
3 - 30	64.7	20.8	75.7



ORDERING INFORMATION

Cable Connector

Part Number	Description
PM309MOOLOO	3x9 PIN cable connector
PM312MOOLOO	3x12 PIN cable connector
PM318MOOLOO	3x18 PIN cable connector
PM324MOOLOO	3x24 PIN cable connector
PM330MOOLOO	3x30 PIN cable connector

With Snap-in Panel Clip

Part Number	Description
PM309MOOLPC	3x9 PIN cable connector
PM312MOOLPC	3x12 PIN cable connector
PM318MOOLPC	3x18 PIN cable connector
PM324MOOLPC	3x24 PIN cable connector
PM330MOOLPC	3x30 PIN cable connector

Panel Mount With Screws

Part Number	Description
PM309MOOLSC	3x9 PIN cable connector
PM312MOOLSC	3x12 PIN cable connector
PM318MOOLSC	3x18 PIN cable connector
PM324MOOLSC	3x24 PIN cable connector
PM330MOOLSC	3X30 PIN cable connector

With Clam Shell Hood & Strain Relief

Part Number	Description
PM309MOOLCH	3x9 PIN cable connector
PM312MOOLCH	3x12 PIN cable connector
PM318MOOLCH	3x18 PIN cable connector
PM324MOOLCH	3x24 PIN cable connector
PM330MOOLCH	3x30 PIN connecto

HEADQUARTERS: 13 Pratts Junction Road, P.O. Box 579, Sterling, MA 01564 T:978-422-3600 F:978-422-3700

EUROPE: Rathealy Road, Fermoy Co. Cork, Ireland T:353-(0)25-32277 F:353-(0)25-32296

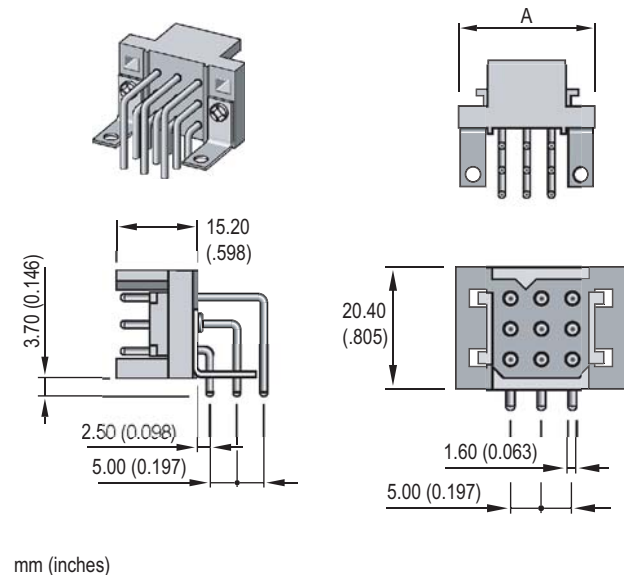
ASIA/PACIFIC: IDEAL Anderson Asia Pacific Ltd., Unit 922-928 Topsail Plaza, 11 On Sum Street, Shatin N.T., Hong Kong T:852-2636-0836 F:852-2635-9036

www.andersonpower.com

Three Row Right Angle PCB (male)

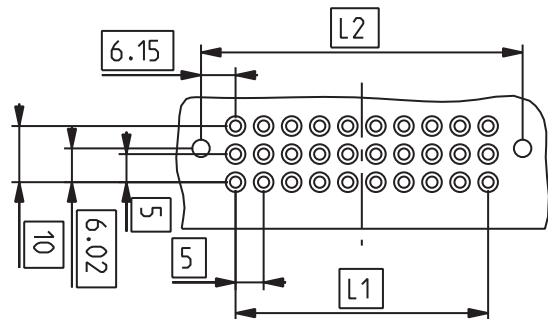
DIMENSIONS

3 Row - PCB right angle connector



3 - Row PCB layout for right angle connector

ROWS CONTACTS	A	L1	L2
3 - 09	28.5	10	22.3
3 - 12	33.5	15	27.3
3 - 18	43.5	25	37.3
3 - 24	53.5	35	47.3
3 - 30	63.5	45	57.3



ORDERING INFORMATION

With Latch

Part Number	Description
PM309MR1LOO	3x9 PIN Right Angle PCB Solder 3.7mm
PM312MR1LOO	3x12 PIN Right Angle PCB Solder 3.7mm
PM318MR1LOO	3x18 PIN Right Angle PCB Solder 3.7mm
PM324MR1LOO	3x24 PIN Right Angle PCB Solder 3.7mm
PM330MR1LOO	3x30 PIN Right Angle PCB Solder 3.7mm

No Latch

Part Number	Description
PM309MR1000	3x9 PIN Right Angle PCB Solder 3.7mm
PM312MR1000	3x12 PIN Right Angle PCB Solder 3.7mm
PM318MR1000	3x18 PIN Right Angle PCB Solder 3.7mm
PM324MR1000	3x24 PIN Right Angle PCB Solder 3.7mm
PM330MR1000	3x30 PIN Right Angle PCB Solder 3.7mm

Right Angle PCB Snap Bracket & Latch

Part Number	Description
PM309MR1LSB	3x9 PIN Right Angle PCB Solder 3.7mm
PM312MR1LSB	3x12 PIN Right Angle PCB Solder 3.7mm
PM318MR1LSB	3x18 PIN Right Angle PCB Solder 3.7mm
PM324MR1LSB	3x24 PIN Right Angle PCB Solder 3.7mm
PM330MR1LSB	3x30 PIN Right Angle PCB Solder 3.7mm

Right Angle PCB Snap Bracket & No Latch

Part Number	Description
PM309MR1OSB	3x9 PIN Right Angle PCB Solder 3.7mm
PM312MR1OSB	3x12 PIN Right Angle PCB Solder 3.7mm
PM318MR1OSB	3x18 PIN Right Angle PCB Solder 3.7mm
PM324MR1OSB	3x24 PIN Right Angle PCB Solder 3.7mm
PM330MR1OSB	3x30 PIN Right Angle PCB Solder 3.7mm

Right Angle PCB Bracket With Hole & Latch

Part Number	Description
PM309MR1LHB	3x9 PIN Right Angle PCB Solder 3.7mm
PM312MR1LHB	3x12 PIN Right Angle PCB Solder 3.7mm
PM318MR1LHB	3x18 PIN Right Angle PCB Solder 3.7mm
PM324MR1LHB	3x24 PIN Right Angle PCB Solder 3.7mm
PM330MR1LHB	3x30 PIN Right Angle PCB Solder 3.7mm

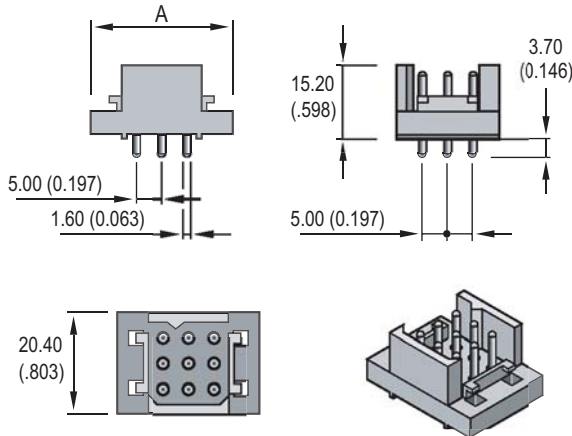
Right Angle PCB Bracket With Hole & No Latch

Part Number	Description
PM309MR1OHB	3x9 PIN Right Angle PCB Solder 3.7mm
PM312MR1OHB	3x12 PIN Right Angle PCB Solder 3.7mm
PM318MR1OHB	3x18 PIN Right Angle PCB Solder 3.7mm
PM324MR1OHB	3x24 PIN Right Angle PCB Solder 3.7mm
PM330MR1OHB	3x30 PIN Right Angle PCB Solder 3.7mm

Three Row Straight PCB (male)

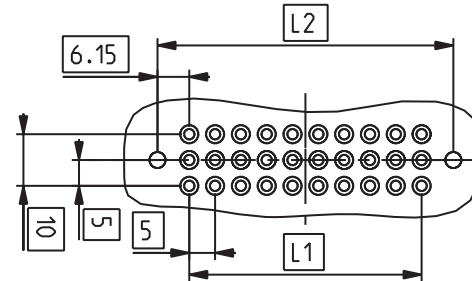
DIMENSIONS

PCB 3 - row straight solder connector



3 - Row PCB layout for straight solder connector

ROWS CONTACTS	A	L1	L2
3 - 09	28.5	10	22.3
3 - 12	33.5	15	27.3
3 - 18	43.5	25	37.3
3 - 24	53.5	35	47.3
3 - 30	63.5	45	57.3



ORDERING INFORMATION

With Latch

Part Number	Description
PM309MB1LOO	3x9 PIN Straight PCB Solder 3.7mm
PM312MB1LOO	3x12 PIN Straight PCB Solder 3.7mm
PM318MB1LOO	3x18 PIN Straight PCB Solder 3.7mm
PM324MB1LOO	3x24 PIN Straight PCB Solder 3.7mm
PM330MB1LOO	3x30 PIN Straight PCB Solder 3.7mm

No Latch

Part Number	Description
PM309MB1000	3x9 PIN Straight PCB Solder 3.7mm
PM312MB1000	3x12 PIN Straight PCB Solder 3.7mm
PM318MB1000	3x18 PIN Straight PCB Solder 3.7mm
PM324MB1000	3x24 PIN Straight PCB Solder 3.7mm
PM330MB1000	3x30 PIN Straight PCB Solder 3.7mm

Push On PCB Fastener & Latch

Part Number	Description
PM309MB1LSP	3x9 PIN Straight PCB Solder 3.7mm
PM312MB1LSP	3x12 PIN Straight PCB Solder 3.7mm
PM318MB1LSP	3x18 PIN Straight PCB Solder 3.7mm
PM324MB1LSP	3x24 PIN Straight PCB Solder 3.7mm
PM330MB1LSP	3x30 PIN Straight PCB Solder 3.7mm

Push On PCB Fastener & No Latch

Part Number	Description
PM309MB1OSP	3x9 PIN Straight PCB Solder 3.7mm
PM312MB1OSP	3x12 PIN Straight PCB Solder 3.7mm
PM318MB1OSP	3x18 PIN Straight PCB Solder 3.7mm
PM324MB1OSP	3x24 PIN Straight PCB Solder 3.7mm
PM330MB1OSP	3x30 PIN Straight PCB Solder 3.7mm

Self-tapping Screws For PCB Mount & Latch

Part Number	Description
PM309MB1LST	3x9 PIN Straight PCB Solder 3.7mm
PM312MB1LST	3x12 PIN Straight PCB Solder 3.7mm
PM318MB1LST	3x18 PIN Straight PCB Solder 3.7mm
PM324MB1LST	3x24 PIN Straight PCB Solder 3.7mm
PM330MB1LST	3x30 PIN Straight PCB Solder 3.7mm

Self-tapping Screws For PCB Mount & No Latch

Part Number	Description
PM309MB1OST	3x9 PIN Straight PCB Solder 3.7mm
PM312MB1OST	3x12 PIN Straight PCB Solder 3.7mm
PM318MB1OST	3x18 PIN Straight PCB Solder 3.7mm
PM324MB1OST	3x24 PIN Straight PCB Solder 3.7mm
PM330MB1OST	3x30 PIN Straight PCB Solder 3.7mm