

Anderson Power Products® (APP) now offers the Blindmate Powerpole® Pak for wire to printed circuit board applications. The Blindmate Powerpole® Pak corrects for up to .45" of misalignment.

The Blindmate Powerpole® Pak, was a custom assembly for unique power requirements in the Communications and Uninterruptible Power Supply (UPS) markets. It can now be ordered as individual components enabling customers to customize the Blindmate Powerpole® Pak for unique applications.

FEATURES

- **Corrects for .45" misalignment**
Allows units to self-align during Blindmate (Rack & Panel applications)
- **Dovetail contact housings**
Can be configured in almost any combination to provide signal power and make first / break last circuits as well as unique keying
- **Wide range of contact sizes**
Provides engineers flexibility during system design



PRODUCT SPECIFICATIONS

Connector Model	PP10	PP15	PCB25	PP30	PP45	Material Properties	
UL Current Rating (Amperes)*	10	15	25	30	45	Blindmate Housing	Polycarbonate, UL94 V-0
UL Voltage Ratings (Volts)**	600*	600*	600*	600*	600*	Powerpole Housing	Polycarbonate, UL94 V-0
Contact Barrel Wire Size (AWG) (mm ²)	#14 / #16 2.1 to 1.3	#16 / #20 1.3 to .5	N/A N/A	#12 / #16 3.3 to 1.3	#10 / #14 5.3 to 2.1	Powerpole Contacts	Base metal copper
Maximum Wire Insulation Diameter (inches) (mm)	0.137 3.48	0.175 4.45	N/A N/A	0.175 4.45	0.175 4.45	Plating	Wire contacts - tin or silver PCB contacts - tin
AVG Contact Resistance* (micro-ohms)	2200	875	600	600	525	Powerpole Springs	Stainless steel
Insulation Withstanding Test Voltage (Volts AC/DC)	2200	2200	2200	2200	2200	Mechanical Properties	
Contact Retention Force (lbs)	25	25	25	25	35	Mating Cycle	500 min (loaded blindmate housing)
Avg. Connection/Disconnect (lbs)	5	3	3	3	3	Mating Force	25 lbs average (fully loaded housing)
Operating Temperature Range °C*** -20° to 105°					Misalignment Allowance	Radial - .45 max inches (1.14mm) Vertical - .45 max inches (11.43mm) Horizontal - .47 max inches (11.93mm)
Flammability Rating of Housing Material UL94 V-0					Engagement Distance	.900 (±.010) inches 22.86 (±.25) mm

* UL Rated for 65°C rated wire or cable size
** Both AC & DC Voltage
*** Contact factory for higher temperature rated connectors

ORDERING INFORMATION

Housings Only

Part Number	Description
BMPP10-45P	2 x 4 Blindmate plug , hardware & pin
BMPP10-45R	2 x 4 Blindmate receptacle, hardware & pin
BMHSG-P	2 x 4 Plug housing only
BMHSG-R	2 x 4 Receptacle housing only
1327	PP15/45 red housing
1327G5	PP15/45 green
1327G6	PP15/45 black
1327G7	PP15/45 white
1327G8	PP15/45 blue
1327G16	PP15/45 yellow
1327G17	PP15/45 orange
1327G18	PP15/45 gray
PP30GND-P	Powerpole pin - green
PP30GND-S	Powerpole socket - green

Hardware

Part Number	Description
110G50	Used with BMHSG-P
110G51	Used with BMHSG-R

Contacts Only

Part Number	Description	Wire AWG	sq. mm
1331	PP30 amp-loose piece	12/16	3.31/1.31
1332	PP15 amp-loose piece	16/20	1.31/.52
261G2-LPBK	PP45 amp-loose piece	10/14	5.26/2.08
1230G1	PP30 amp pin	10	5.26
1232G1	PP30 amp socket	10	5.26
261G1	PP30 amp-reel	12/16	3.31/1.31
261G2	PP45 amp-reel	10/14	5.26/2.08
262G1	PP15 amp-reel	16/20	1.31/.52
1377G1	Right Angle-low detent	.70	17.8
1377G2	Right Angle-low detent	.40	10.2
1377G11	Right Angle-low detent	.70	17.8
1377G12	Right Angle-low detent	.40	10.2
1377G14	Right Angle-low detent	.18	4.6
1377G15	Right Angle-low detent	1.02	25.9
1377G16	Right Angle-low detent	.72	18.3
1377G17	Right Angle-low detent	.88	22.4
1377G18	Right Angle-low detent	.58	14.7
1317G1	Right Angle-high detent	.70	17.8
1317G2	Right Angle-high detent	.40	10.2
1317G11	Right Angle-high detent	.70	17.8
1317G12	Right Angle-high detent	.40	10.2
1317G11	Right Angle-high detent	.70	17.8

contacts only continued

Part Number	Description	Wire AWG	sq. mm
1377G12	Right Angle-low detent	.40	10.2
1377G14	Right Angle-low detent	.18	4.6
1377G15	Right Angle-low detent	1.02	25.9
1377G16	Right Angle-low detent	.72	18.3
1377G17	Right Angle-low detent	.88	22.4
1377G18	Right Angle-low detent	.58	14.7
1317G1	Right Angle-high detent	.70	17.8
1317G2	Right Angle-high detent	.40	10.2
1317G11	Right Angle-high detent	.70	17.8
1317G14	Right Angle-high detent	.18	4.6
1317G15	Right Angle-high detent	1.02	25.9
1317G16	Right Angle-high detent	.72	18.3
1317G17	Right Angle-high detent	.88	22.4
1377G3	Straight Terminal - low detent	2.16	54.9
1377G4	Straight Terminal - low detent	1.7	43.2
1377G13	Straight Terminal - low detent	1.11	28.2
1317G3	Straight Terminal - high detent	2.16	54.9
1317G4	Straight Terminal - high detent	2.16	43.2
1317G13	Straight Terminal - high detent	1.11	28.2

... continued on back page

ORDERING INFORMATION

Tooling

Part Number	Description
1387G1	Pneumatic Tool
1388G8	- Die #10
1389G8	- Locator #10
260G1	Applicator only (110V & 220V)
260G14*	Applicator only (110V & 220V)
260G15*	Applicator only (110V & 220V)
260G18**	Applicator only (110V & 220V)
280G1	Applicator and press (110V, 60Hz)
250G1	Press only (110V, 60Hz)
280G4	Applicator and press (220V, 50Hz)
250G2	Press only (220V, 50Hz)

* Denotes mini-style applicator for use with existing "K" or "T" press
 ** Denotes mini-style applicator for use with existing "K" or "T" and "G" press

Tooling

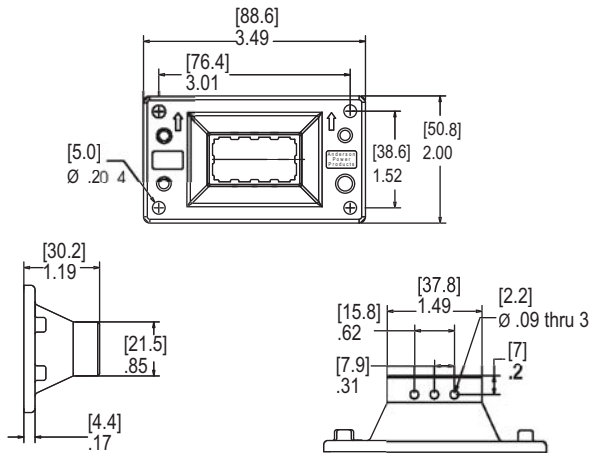
Part Number	Description
111038G2	Contact insertion/extraction tool
1309G3	Hand tool for p/n 261G2-LPBK
1309G2	Hand tool #12 to #20
1309G5	Hand tool for p/n 200G2L & 201G2H
1396G1	Hand Tool

Hardware

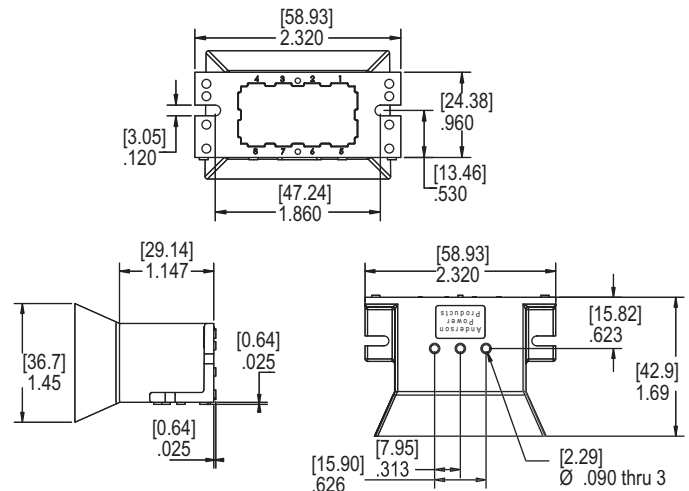
Part Number	Description
110G50	Used with BMHSG-P
110G51	Used with BMHSG-R

DIMENSIONS

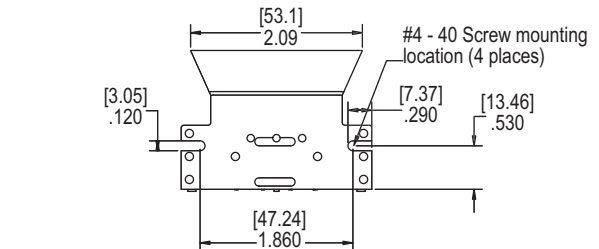
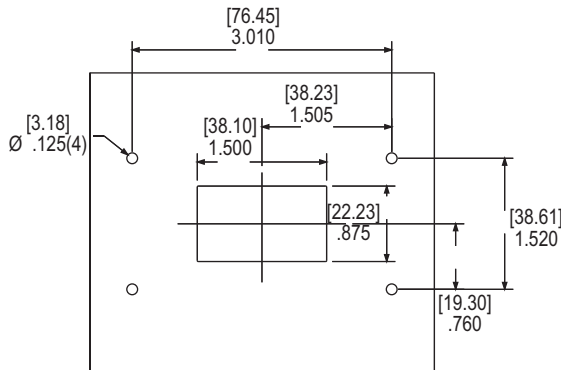
Plug Outline



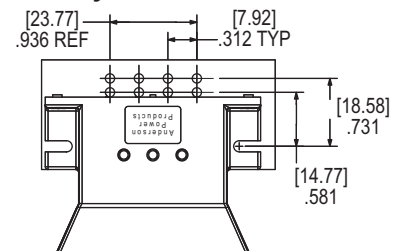
Receptacle Outline



Plug Panel Cutout



Receptacle PCB Layout



CSA Certified
File No. LR25154



UL Recognized
File No. E26226

All Data Subject To Change Without Notice

DS-BM REV01

HEADQUARTERS: 13 Pratts Junction Road, P.O. Box 579, Sterling, MA 01564 T:978-422-3600 F:978-422-3700

EUROPE: Rathealy Road, Fermoy Co. Cork, Ireland T:353-(0)25-32277 F:353-(0)25-32296

www.andersonpower.com