

PowerMod HP connectors, developed by Anderson Power Products, are the innovative New Generation of High Power Interconnections for the Electronics Industry.

The touch-safe, positive latching, PowerMod HP female connector design presents a new standard for high power connector safety. The ergonomic latch release is simple to operate and is colored blue for clear identification. Housings are a black UL94V-O flame retardant material.

PowerMod HP contacts are durable and rated for circuit interruption (true hot-pluggable). Size A contacts are available in #6 to #2 American wire gauge and 16mm² to 35mm² metric wire sizes for global design freedom. Our optional strain relief ensures superior contact reliability under adverse operating conditions.

APP PowerMod HP connectors embody the highest quality in the industry and meet all applicable industry standards.

Features

- Positive latching**
Integral latches with ergonomic release provide over 50 lbs retention
- Low connector mating forces**
Connectors can be mated and unmated with one hand without the use mechanical aids
- Silver plated, high conductivity contacts**
Offers greater longevity for high power, elevated temperature applications
- Ease of assembly**
Intuitive design allows for simplicity of assembly



SPECIFICATIONS

| Electrical | | | Mechanical | |
|---------------------------------|------------------------|--|---|---------------------------|
| Current Rating | Nominal @ 80°C Ambient | 160 Amps | Mating Force | 7 lbs. (31.14N) avg |
| | UL | 220 Amps | Latch Retention Force | 50 lbs. (222N) min |
| | CSA (30°C Rise) | 130 Amps | Contact Retention Force | 100 lbs. (445N) min |
| UL / CSA Voltage Rating | | 600 Volts | Mating | |
| Wire Size (inches) | | #6 to #2 | a. No Load(Contact/Disconnect Cycles) | 500 Cycles |
| (mm ²) | | 16mm ² to 35mm ² | b. Under Load(Hot Plug 250 cycles @ 120V) | 80A |
| Insulation Withstanding Voltage | | 2200 Volts | Materials | |
| Operating Temperature Range °C | | minus 40-130 °C | Housing & Cable Clamp | PBT |
| Ambient Temperature Range °C | | minus 40-85 °C | Latch | PEI |
| | | | Contacts | Copper alloy silver plate |
| | | | Hardware | Steel zinc chromate |

 File No. E26226

ORDERING INFORMATION

PowerMod Part Number Plan - Singlepole Bus Bar

| Series | Size | Gender | Model | Wire Size |
|--------------------|------|--------|-------|-----------|
| PMHP | A | M | 04 | P06 |
| A * | | | | |
| M - Male | | | | |
| 04 - Bus Bar Mount | | | | |
| P06 - Pin Bus Bar | | | | |

COMPONENTS

| Part Number | Description |
|-------------|---------------------|
| PMHPAP06 | Pin.Size A, Bus Bar |

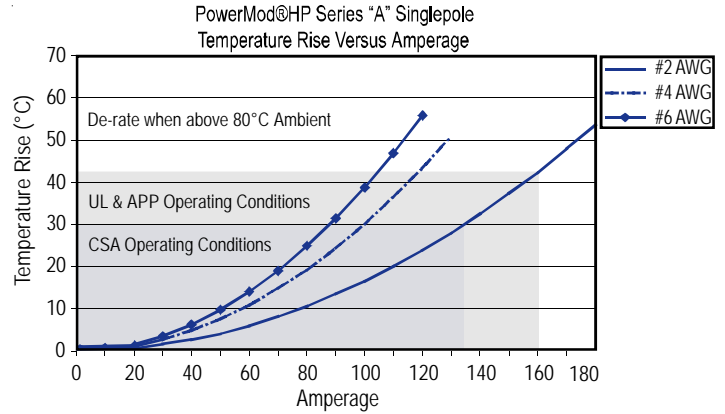
ORDERING INFORMATION

TOOLING

| Part Number | Description |
|-------------|---|
| 1387G2 | Production Tool - Pneumatic |
| 1304G19 | Locator for 1387G2, Size A Pin Contacts |
| 1303G14 | Die for 1387G2, 6 AWG wire |
| 1303G14 | Die for 1387G2, 16mm ² wire |
| 1303G14 | Die for 1387G2, 4 AWG wire |
| 1303G13 | Die for 1387G2, 25mm ² wire |
| 1303G13 | Die for 1387G2, 2 AWG & 35mm ² wire |
| 1387G3 | Hand Tool - Hydraulic |
| 1370 | Hand Tool - Battery |
| 1322G9 | Die for 1387G3 & 1370, 6 AWG wire |
| 1322G10 | Die for 1387G3 & 1370, 16mm ² wire |
| 1322G8 | Die for 1387G3 & 1370, 4 AWG wire |
| 1322G11 | Die for 1387G3 & 1370, 25mm ² wire |
| 1322G7 | Die for 1387G3 & 1370, 2 AWG & 35mm ² wire |

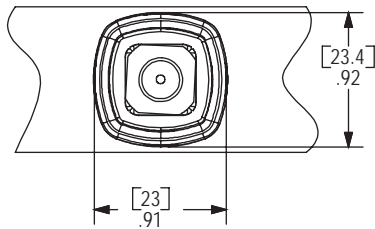
* 1370 & 1387G3 use the same die sets

TEMPERATURE CHART

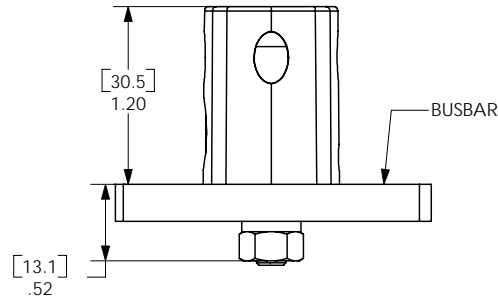


DIMENSIONS

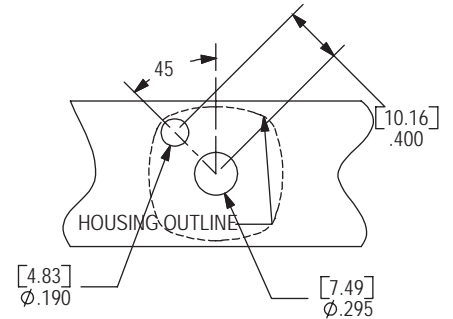
Front



Side

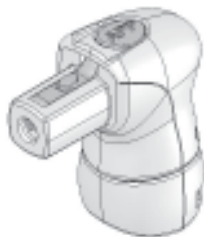


Back



MATING CONNECTORS

Singlepole Right Angle Female



Singlepole Female

