

# PowerMod® HP

## Dual Pole Right Angle Female - Size A

PowerMod HP connectors, developed by Anderson Power Products, are the innovative New Generation of High Power Interconnections for the Electronics Industry.

The touch-safe, positive latching, PowerMod HP female connector design presents a new standard for high power connector safety. The ergonomic latch release is simple to operate and is colored blue for clear identification. Housings are a black UL94V-O flame retardant material.

PowerMod HP contacts are durable and rated for circuit interruption (true hot-pluggable). Size A contacts are available in #6 to #2 American wire gauge and 16mm<sup>2</sup> to 35mm<sup>2</sup> metric wire sizes for global design freedom. Our optional strain relief ensures superior contact reliability under adverse operating conditions.

APP PowerMod HP connectors embody the highest quality in the industry and meet all applicable industry standards.

### Features

- Right angle connector**  
*Offers short mated length for tight wiring applications*
- Positive latching**  
*Integral Latches with ergonomic release provide over 50 lbs retention*
- Touch safe female connectors**  
*Provides IP20 protection for safe, energized use outside the electronics cabinet*
- High performance, hot pluggable female contacts**  
*Our patented design provides greater longevity for high power, elevated temperature applications*
- Low connector mating forces**  
*Connectors can be mated and unmated with one hand without the use mechanical aids*



### SPECIFICATIONS

Electrical		Mechanical	
Current Rating	Nominal @ 80°C Ambient	160 Amps	15 lbs. (66.72N) avg
	UL	210 Amps	Latch Retention Force
	CSA (30°C Rise)	130 Amps	50 lbs. (222N) min
UL / CSA Voltage Rating		600 Volts	Contact Retention Force
Wire Size (inches)		#6 to #2	100 lbs. (445N) min
(mm <sup>2</sup> )		16mm <sup>2</sup> to 35mm <sup>2</sup>	Mating
Insulation Withstanding Voltage		2200 Volts	a. No Load(Contact/Disconnect Cycles)
Operating Temperature Range °C		minus 40-130 °C	500 Cycles
Ambient Temperature Range °C		minus 40-85 °C	b. Under Load(Hot Plug 250 cycles @ 120V)
			80A
			<b>Materials</b>
			Housing & Cable Clamp
			PBT
			Latch
			PEI
			Contacts
			Copper alloy silver plate
			Hardware
			Steel zinc chromate

 File No. E26226

### ORDERING INFORMATION

#### PowerMod Part Number Plan - Dual Pole Right Angle Female

Series	Size	Gender	Model	Wire Size
PMHP	A	F	13	S10
<b>A *</b>				
F - Female				
13 - Dual Pole R/A with Cable Clamp				
S10 - 6 awg				
S09 - 16mm <sup>2</sup>				
S08 - 4 awg				
S07 - 25mm <sup>2</sup>				
S06 - 2 awg & 35mm				
* Maximum wire size 2 awg or 35mm <sup>2</sup>				

#### COMPONENTS

Part Number	Description
PMHPAF13	Housing Kit With Cable Clamp, Female, Dual Pole, R/A
PMHPAS10	Socket, Size A, Crimp for 6 awg wire
PMHPAS09	Socket, Size A, Crimp for 16mm <sup>2</sup> wire
PMHPAS08	Socket, Size A, Crimp for 4 awg wire
PMHPAS07	Socket, Size A, Crimp for 25mm <sup>2</sup> wire
PMHPAS06	Socket, Size A, Crimp for 2 awg & 35mm <sup>2</sup> wire

# PowerMod® HP Dual Pole Right Angle Female - Size A

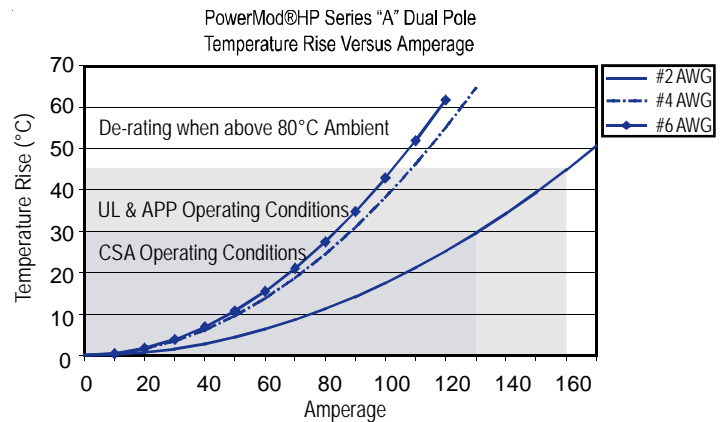
## ORDERING INFORMATION

## TEMPERATURE CHART

### TOOLING

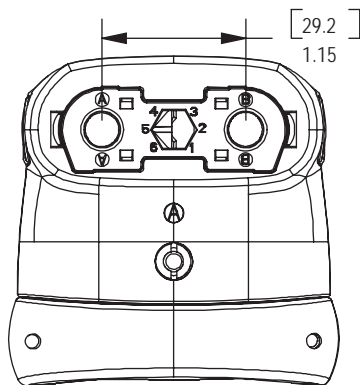
Part Number	Description
1387G2	Production Tool - Pneumatic
1304G19	Locator for 1387G2, Size A Pin Contacts
1303G14	Die for 1387G2, 6 AWG wire
1303G14	Die for 1387G2, 16mm <sup>2</sup> wire
1303G14	Die for 1387G2, 4 AWG wire
1303G13	Die for 1387G2, 25mm <sup>2</sup> wire
1303G13	Die for 1387G2, 2 AWG & 35mm <sup>2</sup> wire
1387G3	Hand Tool - Hydraulic
1370	Hand Tool - Battery
1322G9	Die for 1387G3 & 1370, 6 AWG wire
1322G10	Die for 1387G3 & 1370, 16mm <sup>2</sup> wire
1322G8	Die for 1387G3 & 1370, 4 AWG wire
1322G11	Die for 1387G3 & 1370, 25mm <sup>2</sup> wire
1322G7	Die for 1387G3 & 1370, 2 AWG & 35mm <sup>2</sup> wire

\* 1370 & 1387G3 use the same die sets

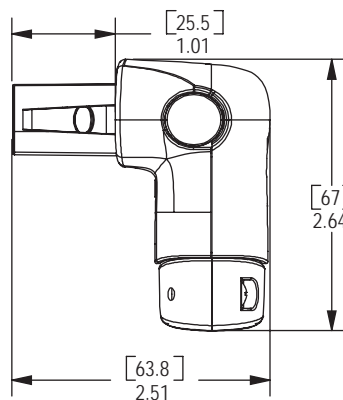


## DIMENSIONS

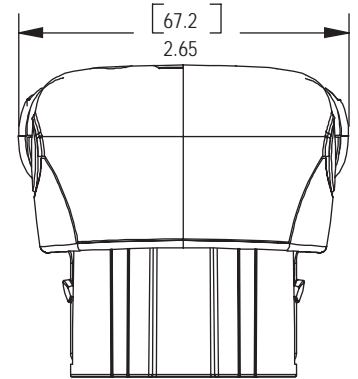
Front  
With Strain Relief



Side  
With Strain Relief



Top



## MATING CONNECTORS

Dual Pole Straight Male



Dual Pole Panel Mount Male

