

PowerMod HP connectors, developed by Anderson Power Products, are the innovative New Generation of High Power Interconnections for the Electronics Industry.

The touch-safe, positive latching, PowerMod HP female connector design presents a new standard for high power connector safety. The ergonomic latch release is simple to operate and is colored blue for clear identification. Housings are a black UL94V-O flame retardant material.

PowerMod HP contacts are durable and rated for circuit interruption (true hot-pluggable). Size A contacts are available in #6 to #2 American wire gauge and 16mm<sup>2</sup> to 35mm<sup>2</sup> metric wire sizes for global design freedom. Our optional strain relief ensures superior contact reliability under adverse operating conditions.

APP PowerMod HP connectors embody the highest quality in the industry and meet all applicable industry standards.

### Features

- Positive latching**  
*Integral latches with ergonomic release provide over 50 lbs retention*
- Touch safe female connectors**  
*Provides IP20 protection for safe, energized use outside the electronics cabinet*
- High performance, hot pluggable female contacts**  
*Our patented design provides greater longevity for high power, elevated temperature applications*
- Strain relief option**  
*Reduces risk of wire insulation creep and reduces transmission of wire loads to contacts improving service life*
- Low connector mating forces**  
*Connectors can be mated and unmated with one hand without the use mechanical aids*



### SPECIFICATIONS

Electrical		Mechanical		
Current Rating	Nominal @ 80°C Ambient	160 Amps	15 lbs. (66.72N) avg	
	UL	210 Amps	Latch Retention Force	
	CSA (30°C Rise)	130 Amps	50 lbs. (222N) min	
UL / CSA Voltage Rating		600 Volts	Contact Retention Force	
Wire Size (Inches)		#6 to #2	100 lbs. (445N) min	
	(mm <sup>2</sup> )	16mm <sup>2</sup> to 35mm <sup>2</sup>	Mating	
Insulation Withstanding Voltage		2200 Volts	a. No Load(Contact/Disconnect Cycles)	
Operating Temperature Range °C		minus 40-130 °C	500 Cycles	
Ambient Temperature Range °C		minus 40-85 °C	b. Under Load(Hot Plug 250 cycles @ 120V)	
			80A	
			Materials	
			Housing & Cable Clamp	PBT
			Latch	PEI
			Contacts	Copper alloy silver plate
			Hardware	Steel zinc chromate

 File No. E26226

### ORDERING INFORMATION

#### PowerMod Part Number Plan - Dual Pole Female

Series	Size	Gender	Model	Wire Size
PMHP	A	F	11	S05
A *				
F - Female				
11 - Dual Pole Straight				
12 - Dual Pole Straight with Cable Clamp				
S05 - 6 awg				
S04 - 16mm <sup>2</sup>				
S03 - 4 awg				
S02 - 25mm <sup>2</sup>				
S01 - 2 awg & 35mm				
* Maximum wire size 2 awg or 35mm <sup>2</sup>				

#### COMPONENTS

Part Number	Description
PMHPAF11	Housing Kit, Female, Dual Pole, Straight
PMHPAF12	Housing Kit with Cable Clamp, Female, Dual Pole, Straight
PMHPAS05	Socket, Size A, Crimp for 6 awg wire
PMHPAS04	Socket, Size A, Crimp for 16mm <sup>2</sup> wire
PMHPAS03	Socket, Size A, Crimp for 4 awg wire
PMHPAS02	Socket, Size A, Crimp for 25mm <sup>2</sup> wire
PMHPAS01	Socket, Size A, Crimp for 2 awg & 35mm <sup>2</sup> wire
PMHPAC02	Dual Pole Cable Clamp Kit

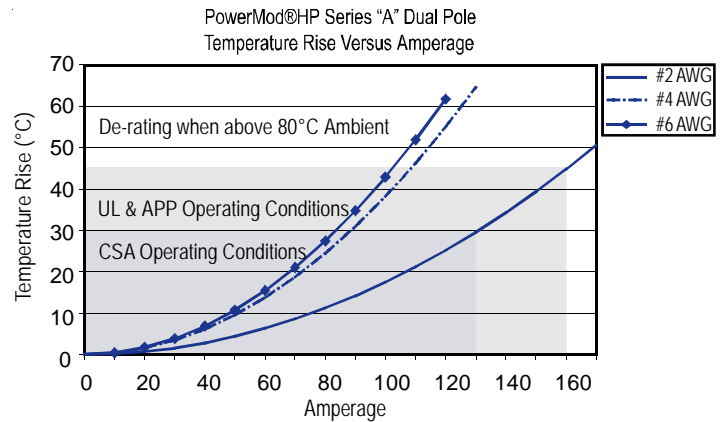
## ORDERING INFORMATION

### TOOLING

Part Number	Description
1387G2	Production Tool - Pneumatic
1304G19	Locator for 1387G2, Size A Pin Contacts
1303G14	Die for 1387G2, 6 AWG wire
1303G14	Die for 1387G2, 16mm <sup>2</sup> wire
1303G14	Die for 1387G2, 4 AWG wire
1303G13	Die for 1387G2, 25mm <sup>2</sup> wire
1303G13	Die for 1387G2, 2 AWG & 35mm <sup>2</sup> wire
1387G3	Hand Tool - Hydraulic
1370	Hand Tool - Battery
1322G9	Die for 1387G3 & 1370, 6 AWG wire
1322G10	Die for 1387G3 & 1370, 16mm <sup>2</sup> wire
1322G8	Die for 1387G3 & 1370, 4 AWG wire
1322G11	Die for 1387G3 & 1370, 25mm <sup>2</sup> wire
1322G7	Die for 1387G3 & 1370, 2 AWG & 35mm <sup>2</sup> wire

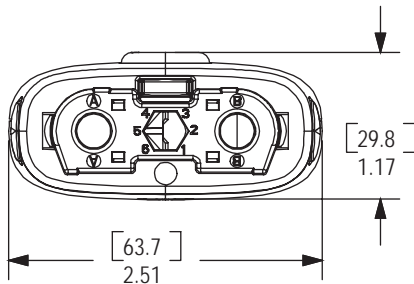
\* 1370 & 1387G3 use the same die sets

## TEMPERATURE CHART

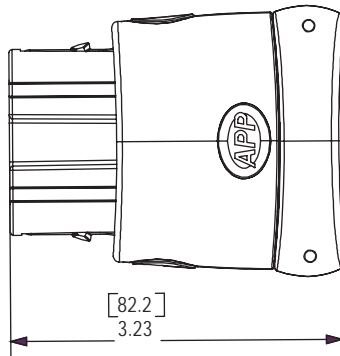


## DIMENSIONS

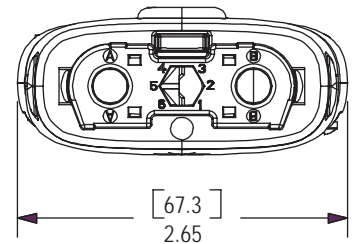
Front  
Without Strain Relief



Side  
With Optional Strain Relief

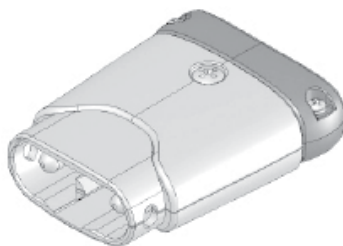


Front  
With Strain Relief



## MATING CONNECTORS

Dual Pole Straight Male



Dual Pole Panel Mount Male

